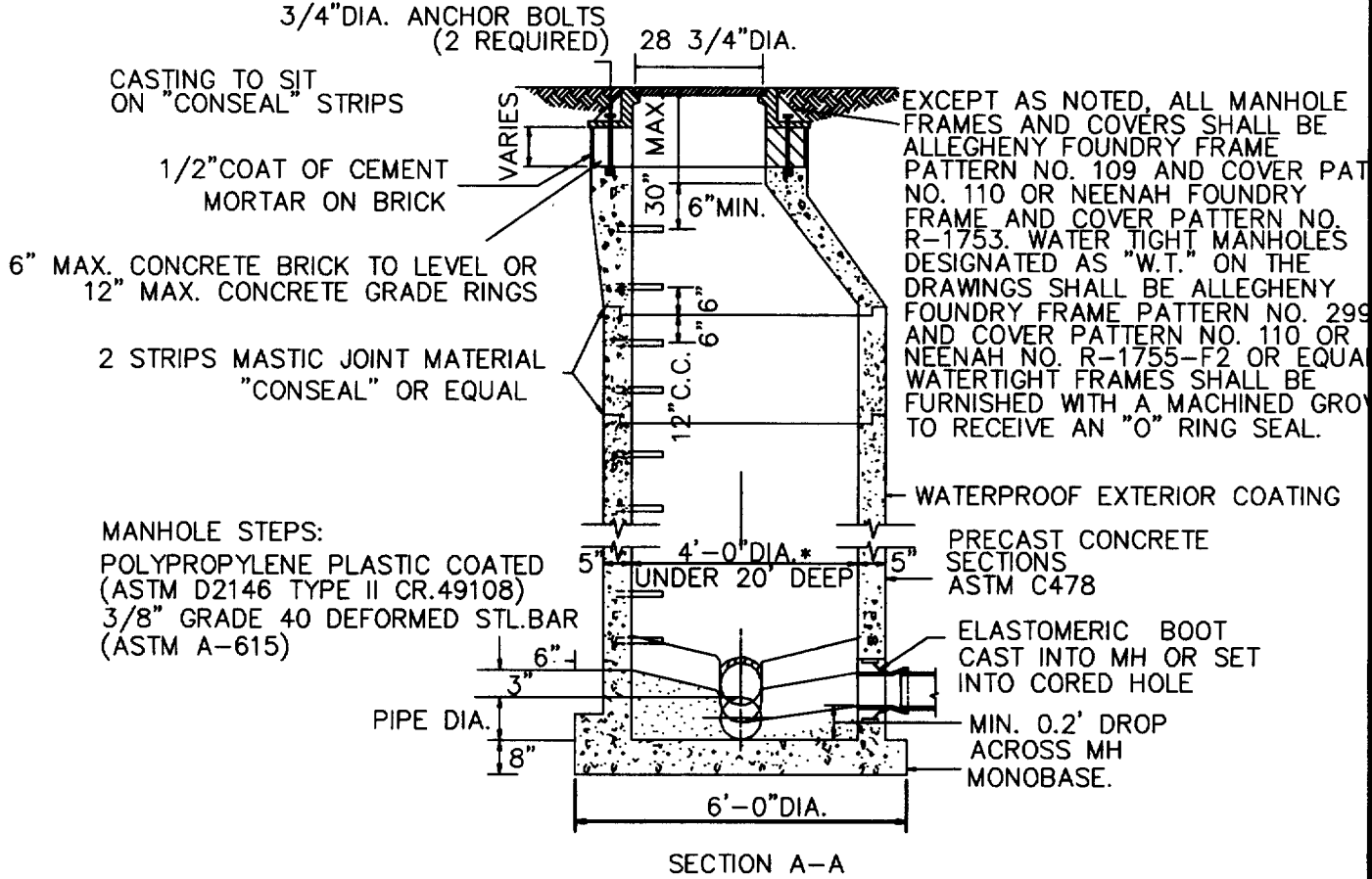


SECTIONAL PLAN



STANDARD MANHOLE DETAIL

N.T.S.

* FOR DEPTHS 20' AND MORE, AND PIPE DIAMETERS OVER 18" USE 60" OR LARGER WITH 6" WALLS

SEWER CONSTRUCTION STANDARD DETAIL

Adopted by Authority on April 10, 2001
 PETERS TOWNSHIP SANITARY AUTHORITY

DATE	April 10, 2001	SCALE:	NTS
DRAWN	KPS	CHECKED	
		DWG. NO.	DETAIL 2-30

Sieg & Associates, Inc.

P. O. Box 756 Wexford, PA 15090